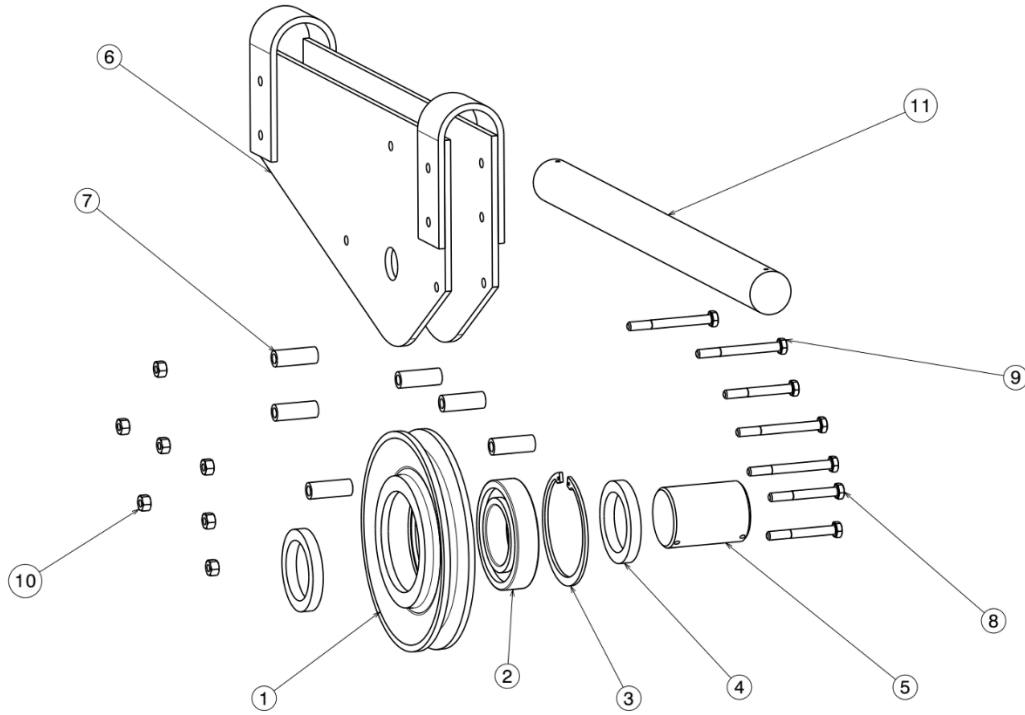


Traverse

تراورس



Item No.	Part No.	Designation	Quantity	Material	Standard
1	D01L000604	Travers Sheave	1	GGG 60	
2	STANDARD	Ball bearing 6211	1		DIN 625
3	STANDARD	Internal circlip 100	1		DIN 472
4	D01L000602	Spacer	2	St 37	
5	D01L000603	Travers sheave shaft	1	CK45	
6	D01L000601	Travers plate	1	St 37	
7	D01L000605	Travers plate spacer	7	St 37	
8	STANDARD	Bolt M8×80 hexagon head	4	Grade 8.8	ISO 4014
9	STANDARD	Bolt M8×65 hexagon head	3	Grade 8.8	ISO 4014
10	STANDARD	Nut M8	7	Grade 8.8	ISO 4034
11	D01L000605	Travers shaft	1		