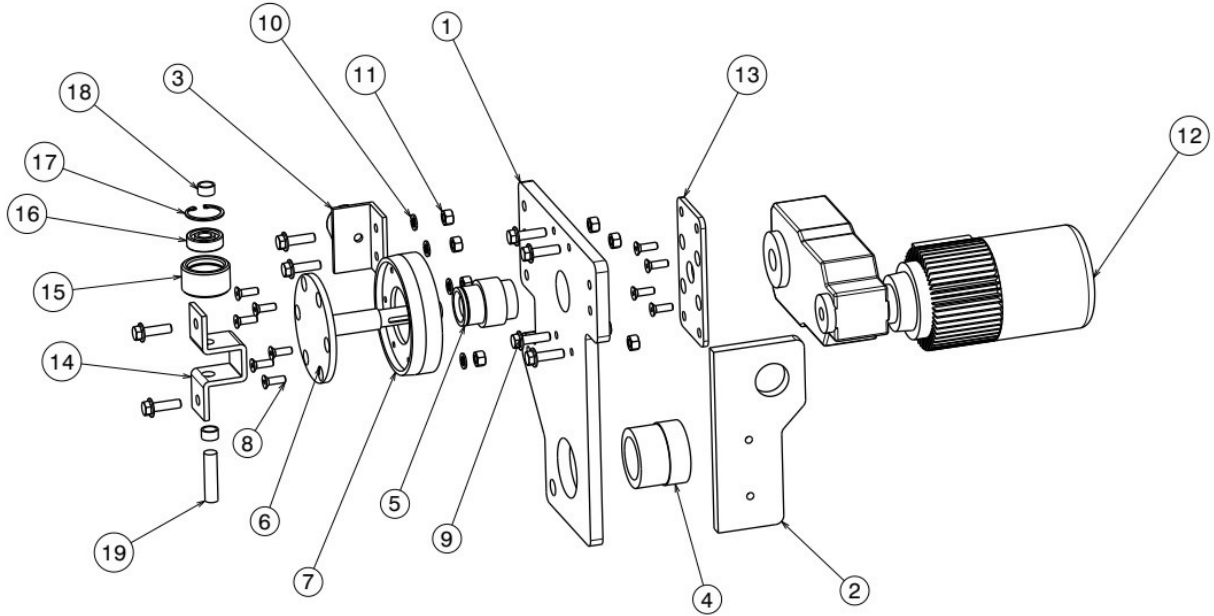


Driving trolley

ترولی محرک



Item No.	Part No.	Designation	Quantity	Material	Standard
1	P01L000301	Trolley plate	2	St 37	DIN 17100
2	P01L000302	Trolley connection plate	2	St 37	
3	P01L001101	Bumper	4	Rubber	
4	P01L000303	Bush trolley	2	St 37	
5	P01L000304	Shaft wheel	2	St 37	
6	P01L000309	Connector wheel	2	St 37	
7	P01L000305	Wheel	2	GGG	
8	STANDARD	Socket head screw M8×25	12	10.9	DIN 7991
9	STANDARD	Hex flange bolt M10×35 mm	8	10.9	DIN 6921
10	STANDARD	Spring Washer A10	8		DIN 128
11	STANDARD	Nut M10	8	10.9	ISO 4034
12	STANDARD	Electro-motor & Gear box	2		
13	P01L000310	Gearbox connection plate	2	St 37	
14	P01L000901	Side roller plate	2		
15	P01L000902	Side roller wheel	2		
16	STANDARD	Ball bearing 6302	2		DIN 625
17	STANDARD	Internal circlip 42	2		DIN 472
18	P01L000904	Spacer	4	St 37	
19	P01L000903	Side roller pin	2	St 37	