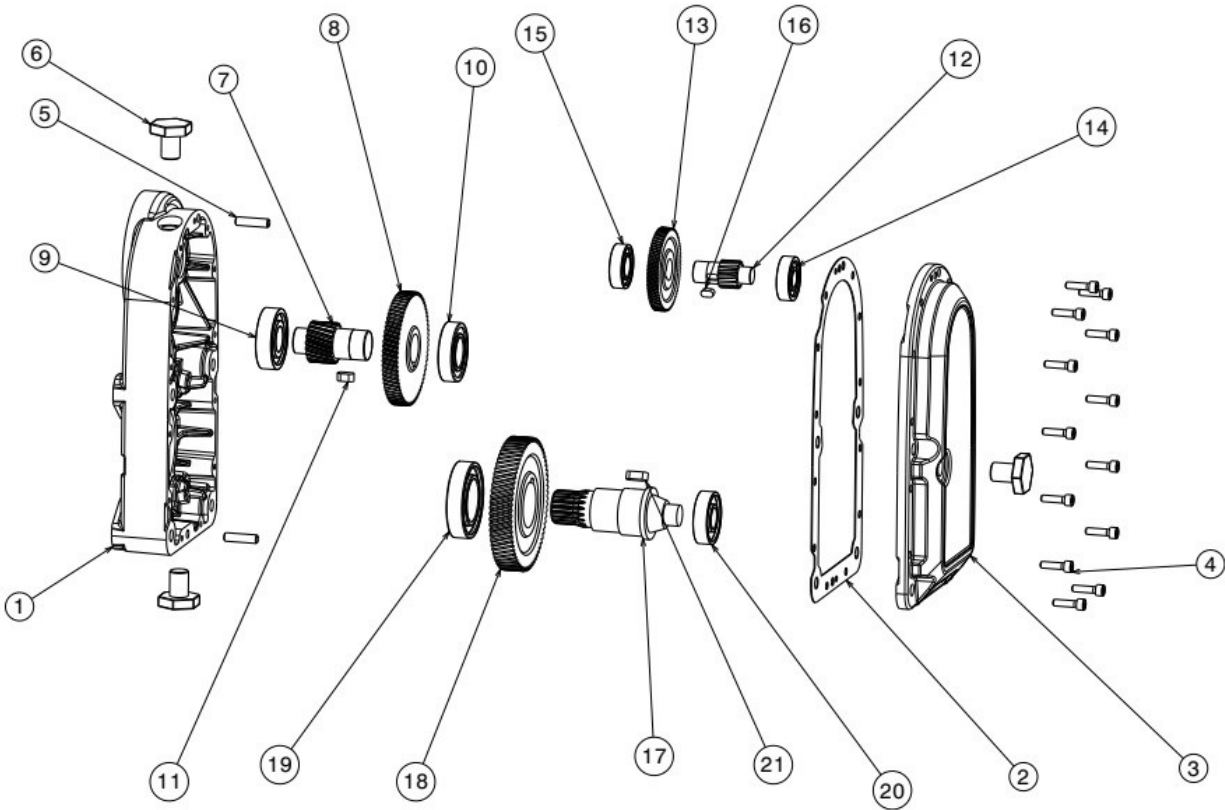


Gear box Tina

گیربکس تینا



Item No.	Part No.	Designation	Quantity	Material	Standard
1	D01L000401	Gearbox shell	1	AL	
2	D01L000409	Gearbox washer	1		
3	D01L000402	Gearbox door	1	AL	
4	STANDARD	Screw M8×30 hexagon socket head cap	13	10.9	ISO 4762
5	D01L000410	Guide pin	2	St37	
6	STANDARD	Oil bolt M22 × 30 mm	3	10.9	ISO 4762
7	D01L000404	Shaft No. 2	1	St 37	
8	D01L000407	Gear No. 2	1	St 37	
9	STANDARD	Ball bearing 6306	1		DIN 625
10	STANDARD	Ball bearing 6207	1		DIN 625
11	STANDARD	Passfedern 10mm L:20mm	1	St 37	DIN 6885
12	D01L000405	Shaft No. 3	1	St 37	
13	D01L000408	Gear No. 3	1	St 37	
14	STANDARD	Ball bearing 6304	1		DIN 472
15	STANDARD	Ball bearing 6205	1		DIN 472
16	STANDARD	Passfedern 8 mm L:15mm	1	St 37	DIN 6885
17	D01L000403	Shaft No. 1	1	St 37	
18	D01L000406	Gear No. 1	1	St 37	
19	STANDARD	Ball bearing 6210	1		DIN 625
20	STANDARD	Ball bearing 6305	1		DIN 625
21	STANDARD	Passfedern 10 mm L:26mm	1	St 37	DIN 6885